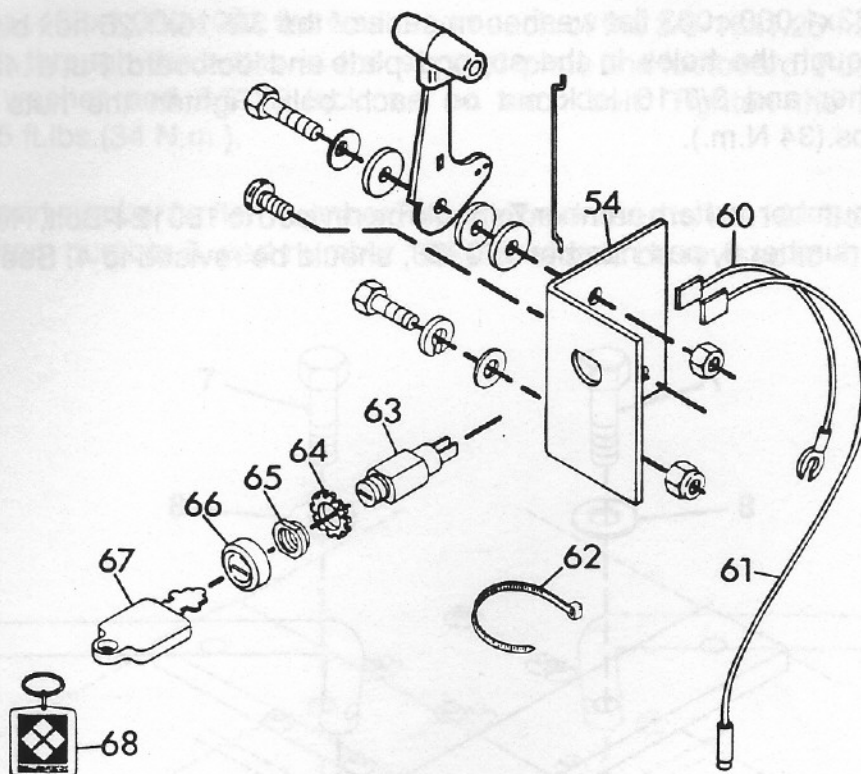


ADDENDUM TO THE 40" WING MOWER OPERATOR'S MANUAL

Refer to the 40" Wing Mower Operator's Manual, Form Number 43326(3-87). On page 23, the part numbers shown for item numbers 7 and 11 should be 44161 and 44163 respectively. Add eight .344x.688x.065 flat washers, item number 30, part number 120393 under the 5/16-18 lock nuts which are used to fasten the belt covers to the deck. Also, delete item number 22, part number 31916.

On page 25, the quantity for item number 10, part number 32045 should be revised to 5. Also, item number NS, part number 43373 should be 44162-Decals, 40" Mower.

On pages 26 through 28, the part number shown for item number 52 should be 44350. Item number 46 should be part number 120214-Washer, Lock 5/16 Regular. Also, item number 54 should be revised and item numbers 60 through 68 should be added as shown below.



| ITEM NO. | PART NO. | QTY. | DESCRIPTION |
|----------|----------|------|-----------------------------|
| 54 | 45254 | 1 | Plate, Throttle Silkscreen |
| 60 | 21426 | 1 | Wire, Hourmeter |
| 61 | 45199 | 1 | Wire, Wing Mower |
| 62 | 10629 | 3 | Tie, Cable |
| 63 | 30202 | 1 | Switch |
| 64 | 18586 | 1 | Washer, Lock 5/8 Int. Tooth |
| 65 | 45497 | 1 | Nut, 5/8-32 for Switch |
| 66 | 45490 | 1 | Boot, for 9/16 Switch Nut |
| 67 | 45488 | 1 | Key, Ignition Switch |
| 68 | 45842 | 1 | Chain, Key |

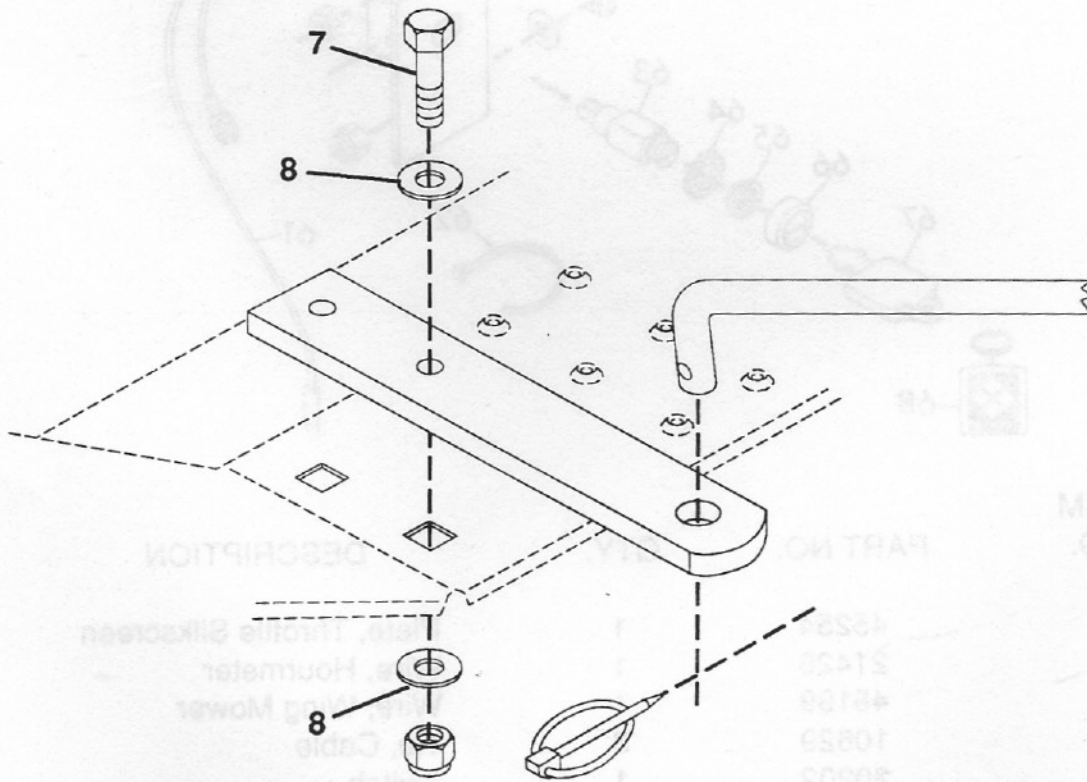
The following revisions pertain only when using the Wing Mower on 1989 Model Professional 4-Wheel(G Series) Tractors or newer models.

On page 4, in the portion of Figure 1 which shows the wing mower attached to the 4-Wheel Tractor, the support plate should be shown fastened to the top of the tractor footboard.

On page 9, in Section 3.11, paragraphs 1 and 2 should read as follows:

1. Position the support plate on top of the tractor footboard so that the holes in the plate are aligned with the square holes in the footboard. (See the Adapter Kit illustration in Section 6.)
2. Put a .483x1.000x.083 flat washer on each of the 3/8-16x1.25 hex bolts and put the bolts through the holes in the support plate and footboard. Put a .483x1.000x.083 flat washer and 3/8-16 lock nut on each bolt. Tighten the nuts to the torque of 25 ft.lbs.(34 N.m.).

On page 20, the part number for item number 7 should be revised to 180124-Bolt, Hex 3/8-16x1.25. The quantity for item number 8, part number 120388, should be revised to 4. See the illustration below.



| ITEM NO. | PART NO. | QTY. | DESCRIPTION |
|----------|----------|------|------------------------------|
| 7 | 180124 | 2 | Bolt, Hex 3/8-16x1.25 |
| 8 | 120388 | 4 | Washer, Flat .483x1.000x.083 |

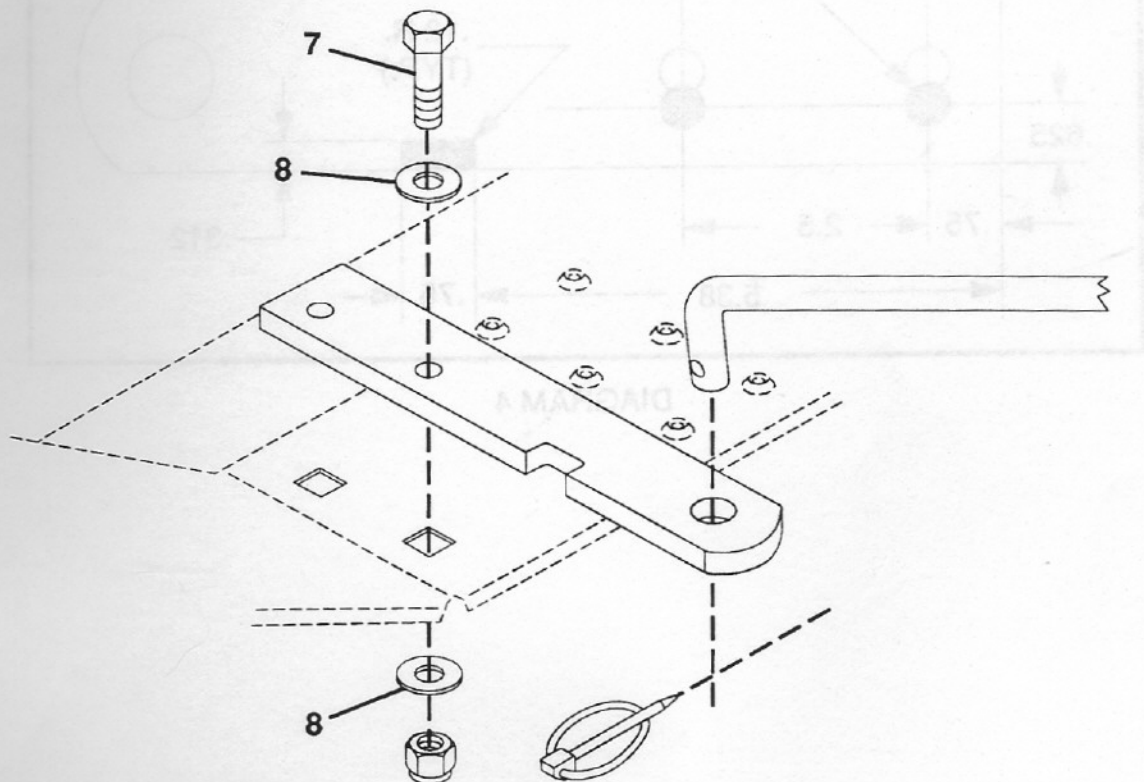
The following revisions pertain only when using the Wing Mower on 1989 Model Professional 4-Wheel(G Series) Tractors or newer models equipped with drum type individual wheel brakes.

On page 4, in the portion of Figure 1 which shows the wing mower attached to the 4-Wheel Tractor, the support plate should be shown fastened to the top of the tractor footboard.

On page 9, in Section 3.11, paragraphs 1 and 2 should read as follows:

1. Position the support plate on top of the tractor footboard so that the holes in the plate are aligned with the square holes in the footboard and the notch is toward the front. (See the Adapter Kit illustration in Section 6.)
2. Put a .483x1.000x.083 flat washer on each of the 3/8-16x1.25 hex bolts and put the bolts through the holes in the support plate and footboard. Put a .483x1.000x.083 flat washer and 3/8-16 lock nut on each bolt. Tighten the nuts to the torque of 25 ft.lbs.(34 N.m.).

On page 20, the part number for item number 7 should be revised to 180124-Bolt, Hex 3/8-16x1.25. The quantity for item number 8, part number 120388, should be revised to 4. See the illustration below.



| ITEM NO. | PART NO. | QTY. | DESCRIPTION |
|----------|----------|------|------------------------------|
| 7 | 180124 | 2 | Bolt, Hex 3/8-16x1.25 |
| 8 | 120388 | 4 | Washer, Flat .438x1.000x.083 |

On page 32, add paragraph 19 as given below.

19. Drill the two new holes and cut the notch in the support plate as shown in Diagram 4 below.

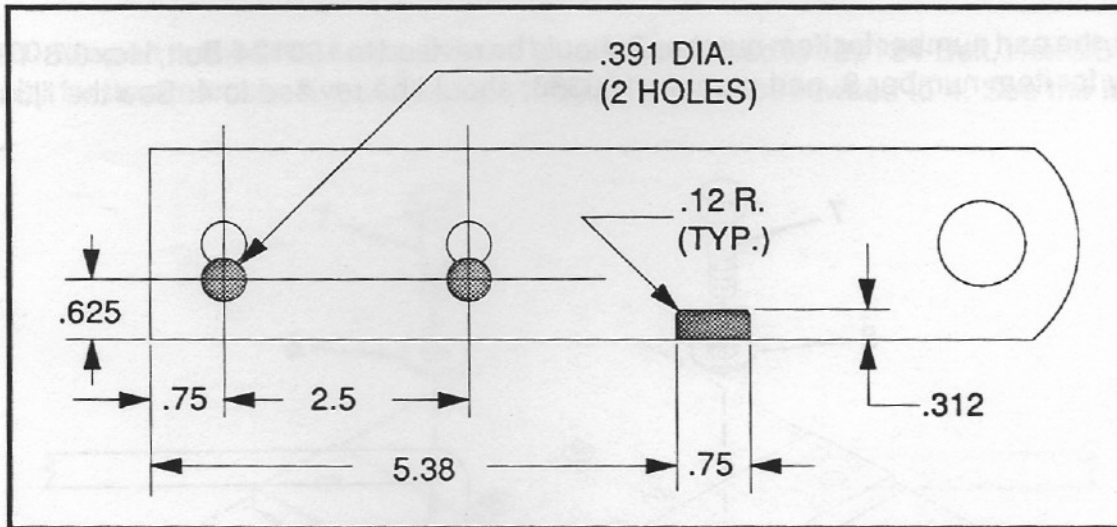


DIAGRAM 4